



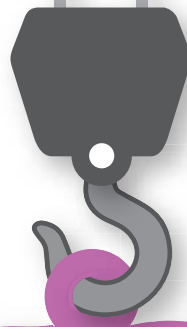
Phil's Crane Hire Pty Ltd. ABN 90 105 040 926

28 Laurina Court, Elanora QLD 4221

Mobile: 0408 767 477

Fax: 07 5534 8622

Email: [philcrane@bigpond.net.au](mailto:philcrane@bigpond.net.au)



**DEMAG 50T**

### Capacities on Main Boom

360°

Capacity (t) = Load + Hook Block

Counterweight  
Outrigger base 6.75x6.40 m

Main boom (m)

Radius (m)	10.1	16.1	22.1	28.0	32.5	37.0	40.0
3.0	50.0*	-	-	-	-	-	-
3.0	44.3	-	-	-	-	-	-
3.5	40.3	28.0	-	-	-	-	-
4.0	37.0	28.0	17.0	-	-	-	-
4.5	34.1	28.0	17.0	14.0	-	-	-
5.0	31.6	28.0	17.0	14.0	11.0	-	-
6.0	26.2	25.0	17.0	14.0	11.0	9.0	-
7.0	20.9	19.8	17.0	14.0	11.0	9.0	7.0
8.0	-	15.6	16.0	13.1	11.0	9.0	7.0
9.0	-	12.6	14.1	12.3	10.5	9.0	7.0
10.0	-	10.4	11.9	11.5	10.0	9.0	7.0
12.0	-	7.5	8.8	8.9	8.9	8.0	7.0
14.0	-	-	6.8	6.9	6.9	7.0	6.3
16.0	-	-	5.4	5.5	5.5	5.6	5.6
18.0	-	-	4.4	4.4	4.5	4.5	4.6
20.0	-	-	-	3.6	3.7	3.7	3.7
22.0	-	-	-	2.9	3.0	3.0	3.0
24.0	-	-	-	2.4	2.4	2.5	2.5
26.0	-	-	-	-	2.0	2.0	2.0
28.0	-	-	-	-	1.6	1.6	1.6
30.0	-	-	-	-	-	1.3	1.3
32.0	-	-	-	-	-	0.9	1.0
34.0	-	-	-	-	-	-	0.7

No. of Hoist Lines

12      7      4      4      3      3      2

Sequence of extended boom (%)

Tel. I      0      80      40      60      75      90      100

Tel. II-IV      0      0      40      60      75      90      100

Dialling code for telescopic control

1      2      3      4      5      6      7

Operating mode switch on PAT-console

01

\* over rear

Capacities on Main Boom

360°

Capacity (t) = Load + Hook Block

Counterweight 6.0 t  
Outrigger base 6.75x6.40 m

Main boom (m)

Radius(m)	10.1	16.1	22.1	28.0	32.5	37.0	40.0
3.0	50.0*	-	-	-	-	-	-
3.0	44.0	-	-	-	-	-	-
3.5	40.2	28.0	-	-	-	-	-
4.0	36.8	28.0	17.0	-	-	-	-
4.5	34.0	28.0	17.0	14.0	-	-	-
5.0	30.9	28.0	17.0	14.0	11.0	-	-
6.0	24.2	23.0	17.0	14.0	11.0	9.0	-
7.0	18.1	17.1	17.0	14.0	11.0	9.0	7.0
8.0	-	13.3	14.9	13.1	11.0	9.0	7.0
9.0	-	10.7	12.2	11.9	10.5	9.0	7.0
10.0	-	8.8	10.2	10.3	9.9	9.0	7.0
12.0	-	6.2	7.5	7.6	7.7	7.4	7.0
14.0	-	-	5.8	5.8	5.9	5.9	5.8
16.0	-	-	4.5	4.6	4.6	4.7	4.7
18.0	-	-	3.6	3.6	3.7	3.7	3.7
20.0	-	-	-	2.8	2.9	3.0	3.0
22.0	-	-	-	2.2	2.3	2.3	2.3
24.0	-	-	-	1.8	1.8	1.8	1.8
26.0	-	-	-	-	1.4	1.4	1.4
28.0	-	-	-	-	1.1	1.1	1.1
30.0	-	-	-	-	-	0.7	0.7

No. of Hoist Lines

12	7	4	4	3	3	2
----	---	---	---	---	---	---

Sequence of extended boom (%)

Tel. I	0	80	40	60	75	90	100
Tel. II-IV	0	0	40	60	75	90	100

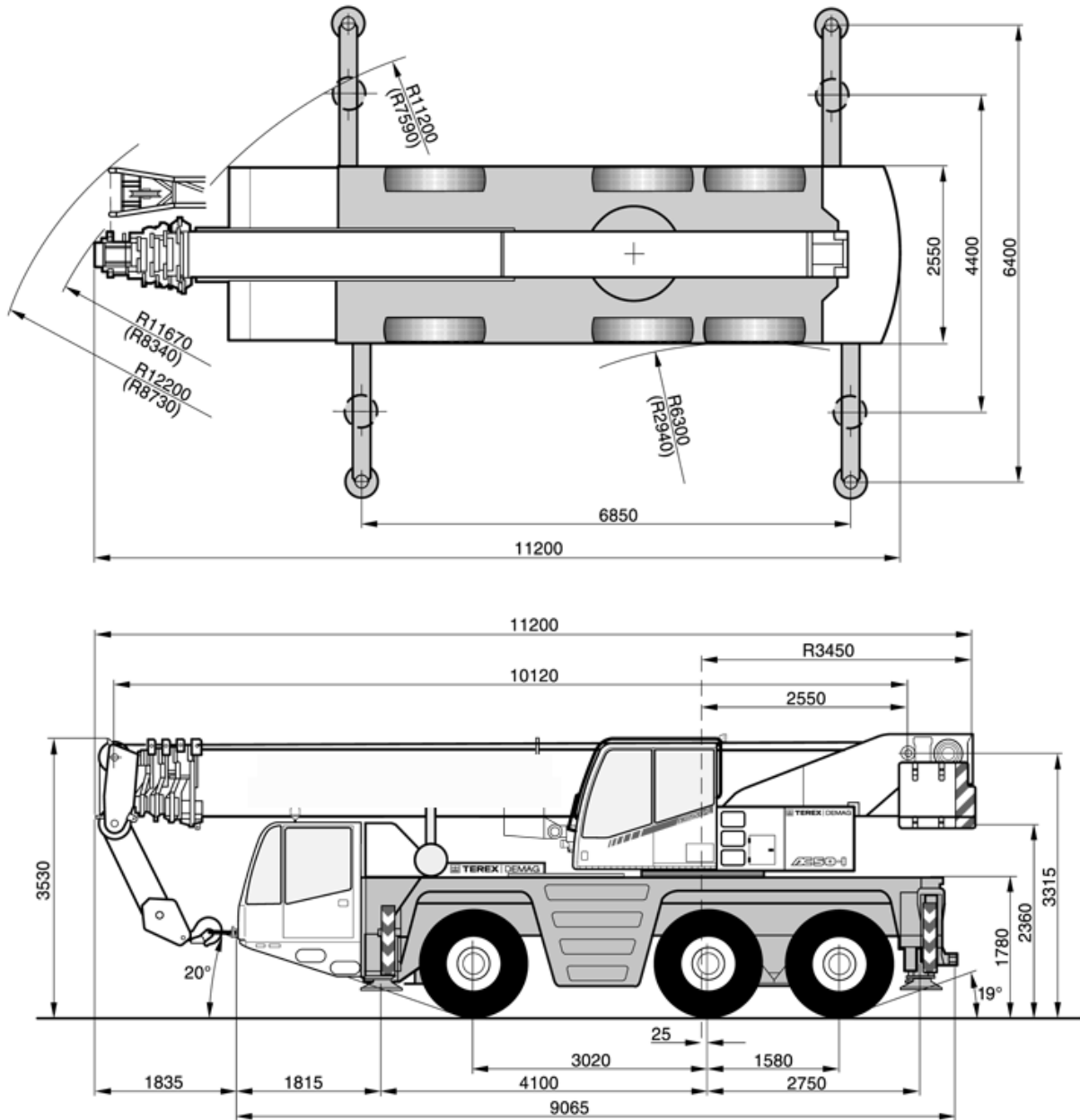
Dialling code for telescopic control

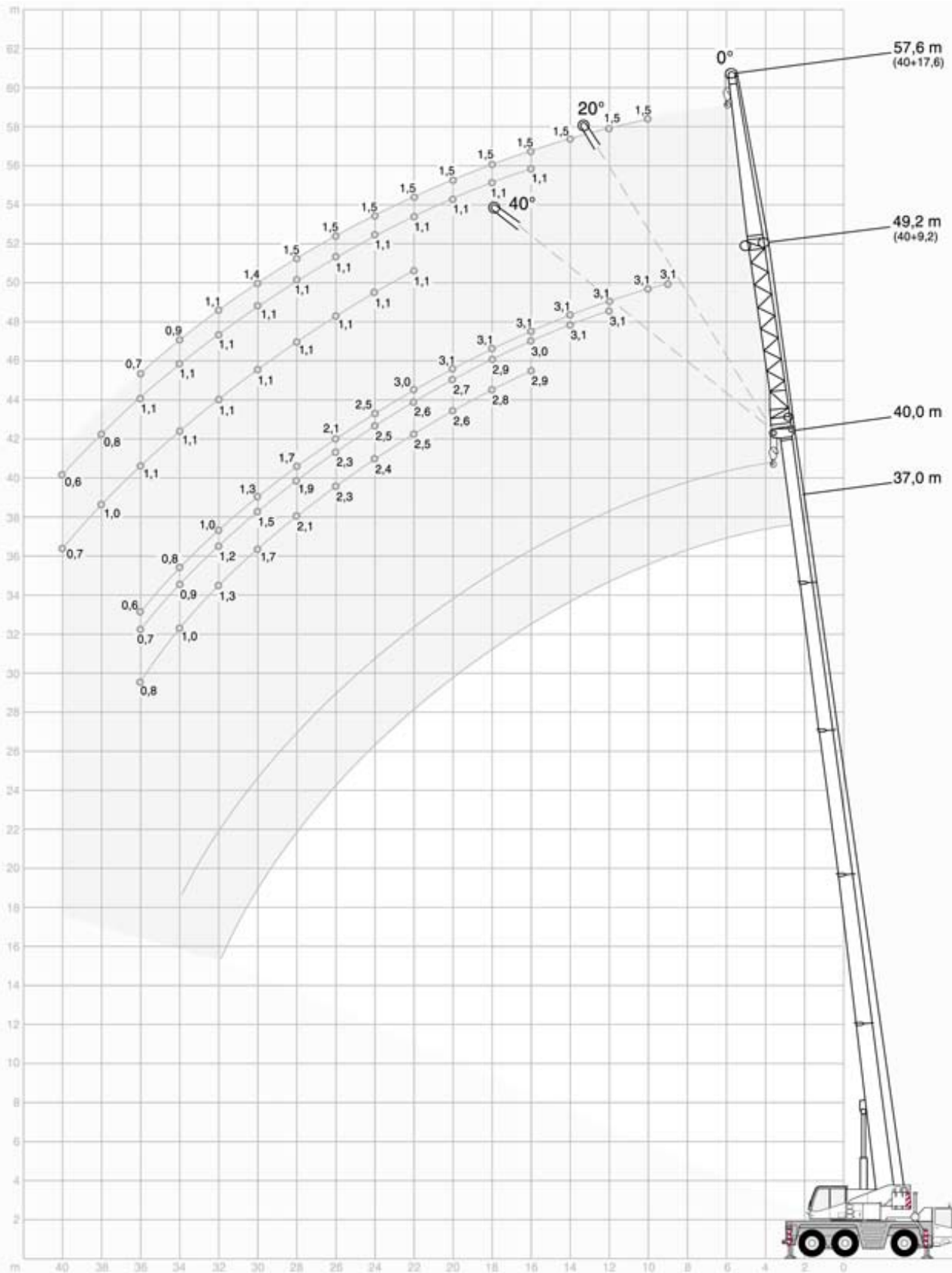
1	2	3	4	5	6	7
---	---	---	---	---	---	---

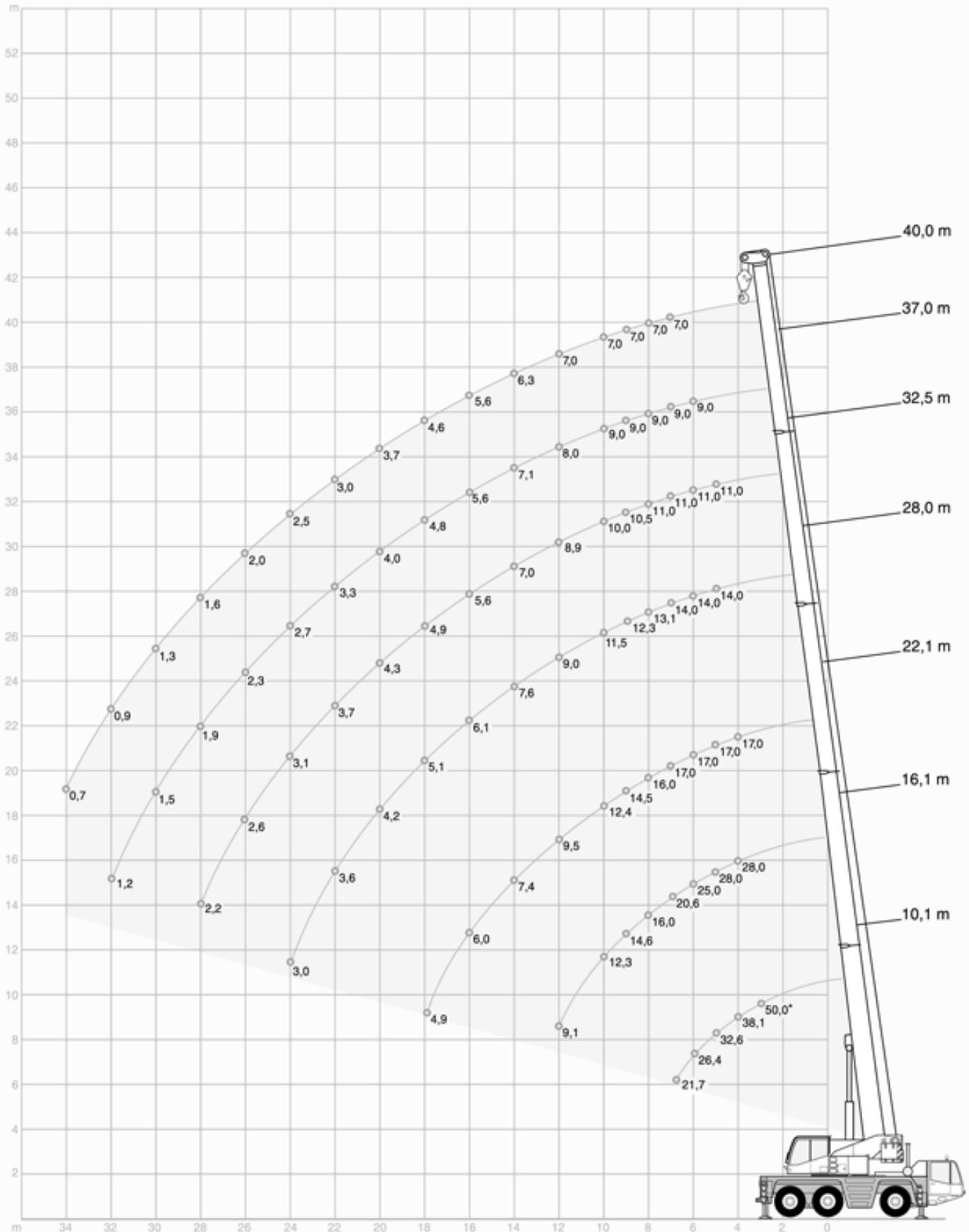
Operating mode switch on PAT-console

02

over rear







\* over rear · nach hinten · sur l'arrière · sul retro · hacia atrás