



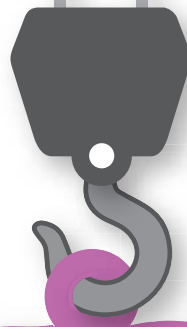
Phil's Crane Hire Pty Ltd. ABN 90 105 040 926

28 Laurina Court, Elanora QLD 4221

Mobile: 0408 767 477

Fax: 07 5534 8622

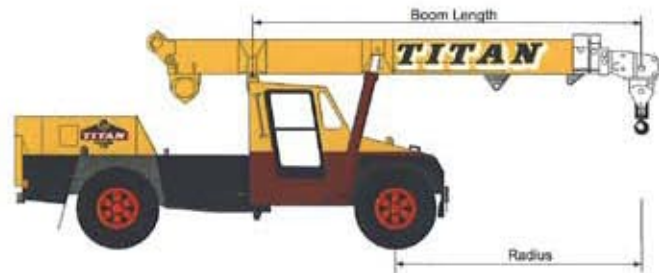
Email: philcrane@bigpond.net.au



FRANNA 12T

FRANNA Q150/4

12 TONNE ALL TERRAIN CRANE



Radius In Metres	BOOM LENGTHS												
	5M	6M	7M	8M	9M	10M	11M	12M	13M	14M	15M	16M	
2.80	7500	7000	7000	SAFE LOAD INDICATOR OPERATES ONLY WITH WINCH/HOOK BLOCK RATINGS									
3.00	7000	7000	7000	7000	8000								
4.00		5000	5000	5000	4000	4000							
5.00			3600	3600	3600	3600	3600	3250					
6.00				2900	2900	2900	2900	2900	2750	2750	2700		
7.00					2500	2500	2500	2500	2500	2500	2500	2400	
8.00						2200	2200	2200	2200	2200	2200	2200	
9.00							1900	1900	1900	1900	1900	1900	
10.00								1700	1700	1700	1700	1700	
11.00									1600	1600	1600	1600	
12.00										1500	1500	1500	
13.00	Refer to Chart II for Maximum Safe Working Loads on A and B Boom Eye Hook Positions										1350	1350	
14.00												1200	



Cranemaster Boom Lengths	Hook 'A' Position	Loads on Hook 'A' Boom Angle/Radius Chart			
		0°	20°	40°	60°
5.50	3.5M	12,000	12,000		
		*1.5M	1.20M	0.68M	0.25M
7.50	4.5M	8,500	10,000	11,000	11,000
		*2.5M	2.23M	1.45M	0.25M
9.50	5.5M	5,600	6,500	9,500	11,000
		*3.5M	3.17M	2.21M	0.75M
11.50	6.5M	4,000	4,500	6,500	11,000
		*4.5M	4.11M	2.98M	1.25M
13.50	7.5M	3,000	3,000	5,000	11,000
		*5.5M	5.0M	3.75M	1.7M

Cranemaster Boom Lengths	Hook 'B' Position	Loads on Hook 'B' Boom Angle/Radius Chart			
		0°	20°	40°	60°
5.50	4.5M	9,000	9,500	10,500	11,000
		*2.5M	2.23M	1.45M	0.28M
6.50	5.0M	7,500	8,500	10,000	11,000
		*3.0M	2.7M	1.83M	0.5M
8.50	6.0M	5,000	5,500	8,500	11,000
		*4.0M	3.64M	2.60M	1.0M
10.50	7.0M	3,500	4,000	6,000	10,500
		*5.0M	4.58M	3.36M	1.5M
11.50	8.0M	3,000	3,000	4,500	9,500
		*6.0M	5.52M	4.13M	2.0M
13.50	9.0M	2,000	2,500	3,500	7,000
		*7.0M	6.48M	4.89M	2.5M

Warnings

Maximum Safe Working Load on Winch/Hook Block 7,500 kg.

Safe Working Loads in KGs based on 85% of tipping load, with crane on hard level ground.

Loads include weight of hook block and handling equipment.
1100 x 20 x 14 ply tyres inflated to 115 PSI.

Speeds less than 4 KPH.

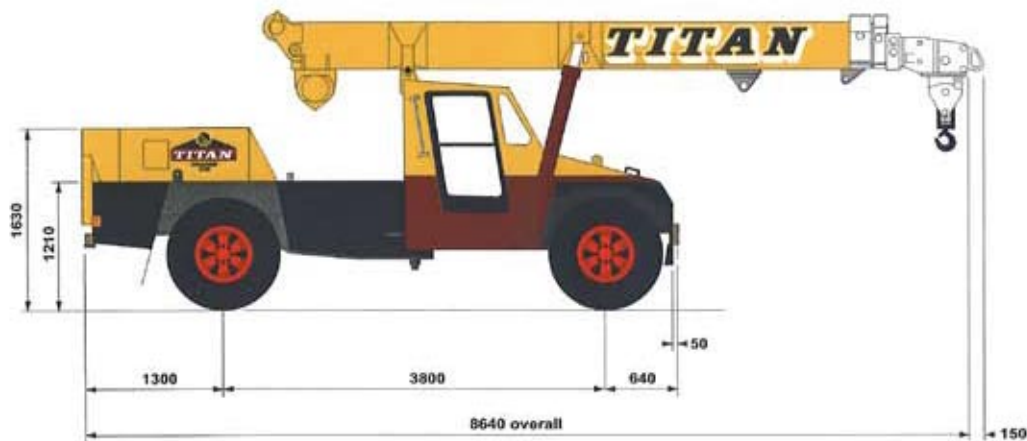
In case of high winds or soft uneven ground reduce these rated capacities accordingly.

Maximum single line load 2,500 kg.

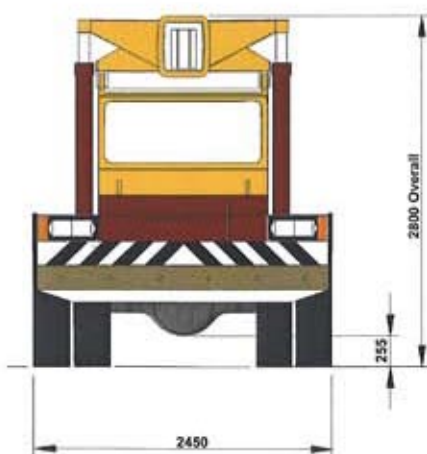
Radius is from centre of front axle to the hook in use.

FRANNA Q150/4

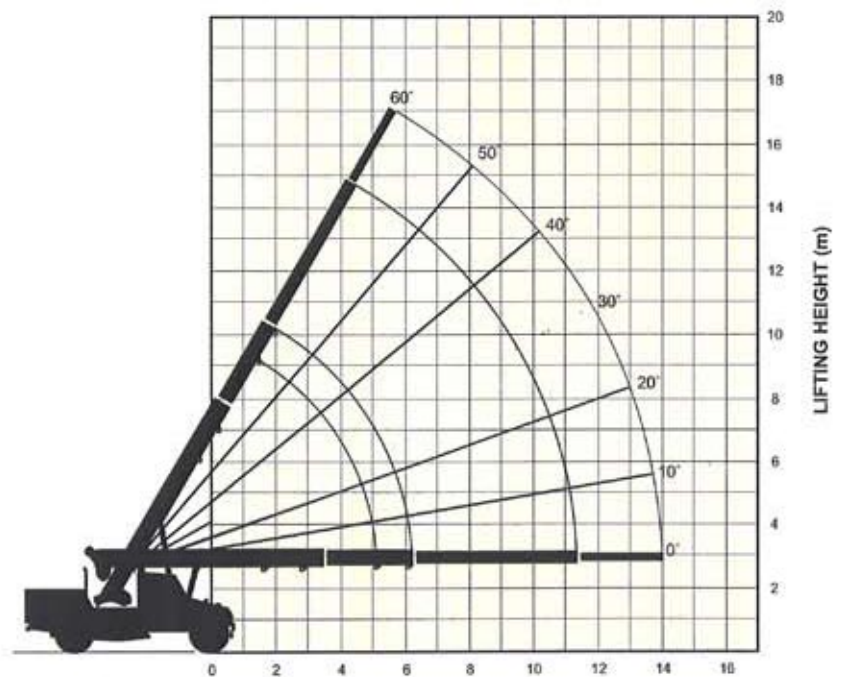
12 TONNE ALL TERRAIN CRANE



GENERAL DIMENSIONS



WORKING RANGE



Specifications for 12 tonne model

RATED CAPACITY

12 Tonnes at 1.6m Radius
1 Tonne at 15.5m Radius
Hook Height 16 metres
Lift Hook block 7.5 Tonnes
Single Line 2.5 Tonnes

AXLE LOADINGS

Front Axle 5,700 kg
Rear Axle 9,000 kg
TOTAL 14,700 kg

TURNING CIRCLE

Outside Wheels 6.2 metres

DIMENSIONS

Overall Length 8.89 metres
Overall Width 2.40 metres
Overall Height 2.82 metres

HYDRAULIC WINCH

Line pull with full drum 2.5 T
3/2 part fall block or single line, fully compensated hook height.

CABIN

ROPS Type insulated lock up cabin.

ENGINE

Hino, 163HP, 6 Cylinder diesel engine.

GEARBOX

Six (6) speed synchromesh.

TRANSFER CASE

Two (2) speed AIRSHIFT with AIR SHIFT disconnect to REAR wheels.

DRIVE AXLES

Front and rear heavy duty drive axles. Driver engaged air diff lock. Front axle.

DRIVE SHAFTS

Hardy Spicer Series 1610.

BRAKES

Full air S cam Twin Circuit Brakes front & rear axles. Spring applied on rear axle, crane operation hold brake on front wheel.

Engine exhaust brake.

TYRES

1100 x 20 x 16 PR Duals.

STEERING

Full Power ORBITROL with twin Hydraulic double acting rams, main pump supply plus electro hydraulic emergency supply.

HYDRAULIC PUMP

Load sensing axial piston
115 Litre/min.

SUSPENSION

Two (2) Semi elliptic springs on each axle plus TORSION BAR on front axle for stability.

PERFORMANCE

Maximum — 85 KPH
Gradability — 50%

OPTIONAL EQUIPMENT

- Allison Automatic Gearbox
- 16.5R x 22.5 Supersingle Low Profile Tyres
- Air Conditioning
- Machinery Hook
- Spare wheel carrier
- Work Lights
- Boom head mounted Rhino Hook
- Fly Jib
- Man Basket
- Turbocharged engine
- Spreader Bars
- Others on application.

*Specifications subject to change without notice.

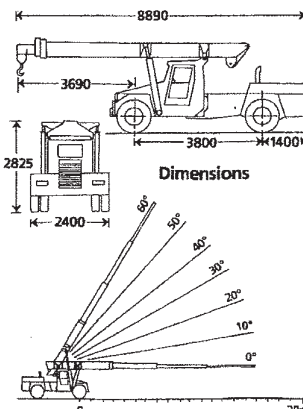
Loads on firm level ground, tyres 1200 x 20 x 18 ply inflated to 120 PSI, weight of hooks, blocks, slings & chains etc. included.

RADIUS IN METRES	BOOM ANGLE	Boom length in metres — manual extension retracted																		MANUAL EXTENSION EXTENDED	
		5.66	6.00	6.50	7.00	7.50	8.00	8.50	9.00	9.50	10.0	10.5	11.0	11.5	12.0	12.5	13.0	13.66	16.56	17.56	
60°					7.50	7.50	7.50	7.50	7.10	6.50	6.00	5.50	5.00	4.60	4.25	3.95	3.65	3.35	2.30	1.95	
50°		1.35	1.55	1.90	2.20	2.55	2.85	3.15	3.50	3.80	4.15	4.45	4.80	5.10	5.40	5.75	6.05	6.50	6.95	9.00	
40°		7.50	7.50	7.50	7.10	6.25	5.55	5.00	4.55	4.15	3.80	3.50	3.25	3.00	2.80	2.60	2.35	2.15	1.55	1.35	
30°		2.10	2.35	2.75	3.10	3.50	3.90	4.25	4.65	5.05	5.40	5.80	6.15	6.55	6.95	7.30	7.70	8.20	10.45	11.20	
20°		7.10	6.35	5.55	4.85	4.35	3.90	3.55	3.20	2.95	2.70	2.50	2.30	2.15	2.00	1.90	1.75	1.60	1.25	1.10	
10°		3.15	3.50	3.95	4.40	4.90	5.35	5.85	6.30	6.75	7.25	7.70	8.20	8.65	9.10	9.60	10.05	10.65	13.40	14.35	
0°		6.40	5.80	5.05	4.45	4.00	3.60	3.25	2.95	2.70	2.50	2.30	2.15	2.00	1.85	1.75	1.60	1.50	1.15	1.05	
		3.45	3.80	4.30	4.80	5.30	5.75	6.25	6.75	7.25	7.75	8.25	8.70	9.20	9.70	10.20	10.70	11.35	14.20	15.20	
		6.15	5.55	4.85	4.30	3.85	3.45	3.15	2.85	2.65	2.40	2.25	2.05	1.95	1.80	1.70	1.55	1.45	1.10	1.00	
		3.60	3.95	4.45	4.95	5.45	5.95	6.45	6.95	7.45	7.95	8.45	8.95	9.45	9.95	10.45	10.95	11.60	14.50	15.50	

Boom fully extended. Manual extension 4.0m. Fly jib fitted.		
BOOM ANGLE	RADIUS (m)	S.W.L (tonne)
60°	7.75	0.75
50°	10.65	0.70
40°	13.20	0.65
30°	15.25	0.60
20°	16.80	0.55
10°	17.75	0.50
0°	18.10	0.50

RADIUS IN METRES	BOOM ANGLE	Boom pivot to inner lug. 1st jib extension manual extension retracted																
		3.50	4.00	4.50	5.00	5.50	6.00	6.50	7.00	7.50								
60°									11.00	11.00	11.00							
50°									1.20	1.45	1.70							
40°									11.00	11.00	11.00	9.75	8.30	7.10				
30°										1.15	1.50	1.80	2.10	2.45	2.75			
20°										1.40	1.85	2.25	2.70	3.15	3.55	4.00	4.45	
10°										11.00	11.00	11.00	9.70	8.05	6.80	5.85	5.10	
0°										1.00	1.40	1.75	2.15	2.55	2.90	3.30	3.75	
										11.00	11.00	11.00	9.25	7.60	6.35	5.40	4.70	4.10
										1.40	1.85	2.25	2.70	3.15	3.55	4.00	4.45	
										11.00	11.00	11.00	9.70	8.05	6.80	5.85	5.10	
										1.25	1.70	2.15	2.65	3.10	3.60	4.05	4.50	5.00
										12.00	11.65	8.95	7.20	5.95	5.00	4.30	3.70	3.25
										1.40	1.90	2.35	2.85	3.35	3.85	4.35	4.85	5.35
										12.00	11.30	8.70	7.00	5.80	4.85	4.15	3.60	3.15
										1.45	1.95	2.45	2.95	3.45	3.95	4.45	4.95	5.45

RADIUS IN METRES	BOOM ANGLE	Boom pivot to outer lug. 1st jib extension manual extension retracted																
		4.50	5.00	5.50	6.00	6.50	7.00	7.50	8.00	8.50								
60°									11.00	11.00	11.00	10.15	8.40					
50°									1.20	1.45	1.70	1.95	2.20					
40°									11.00	11.00	11.00	10.20	8.70	7.50	6.60	5.85		
30°										1.15	1.50	1.80	2.10	2.45	2.75	3.10	3.40	
20°										11.00	11.00	10.25	8.50	7.20	6.25	5.45	4.80	4.25
10°										1.40	1.75	2.15	2.55	2.90	3.30	3.70	4.05	4.45
0°										11.00	9.85	8.05	6.75	5.80	5.00	4.40	3.85	3.45
										1.85	2.25	2.70	3.15	3.55	4.00	4.45	4.85	5.30
										10.55	8.40	6.95	5.85	5.00	4.35	3.80	3.35	3.00
										1.25	1.65	2.10	2.50	2.90	3.30	3.70	4.05	4.45
										9.60	7.70	6.40	5.40	4.65	4.00	3.50	3.10	2.75
										1.40	1.85	2.35	2.85	3.35	3.85	4.35	4.85	5.35
										9.35	7.50	6.20	5.25	4.50	3.90	3.45	3.05	2.70
										1.45	1.95	2.45	2.95	3.45	3.95	4.45	4.95	5.45



FRANNA CRANES