



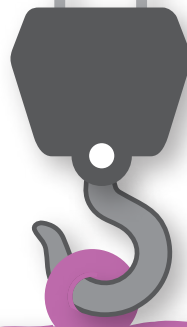
Phil's Crane Hire Pty Ltd. ABN 90 105 040 926

28 Laurina Court, Elanora QLD 4221

Mobile: 0408 767 477

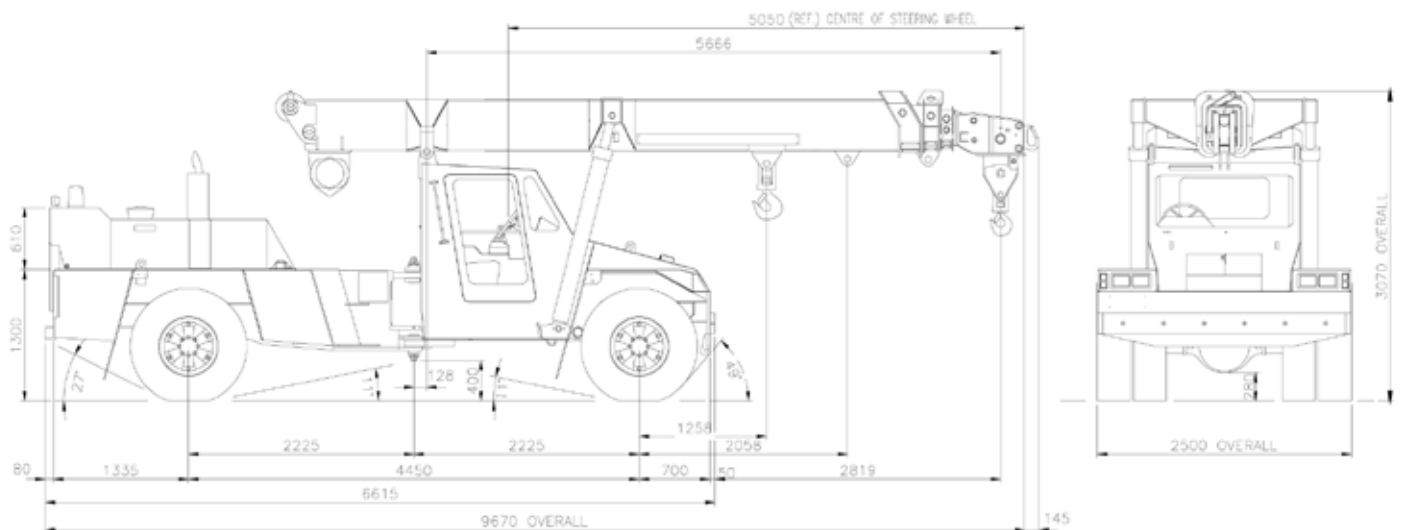
Fax: 07 5534 8622

Email: philcrane@bigpond.net.au



FRANNA 20T

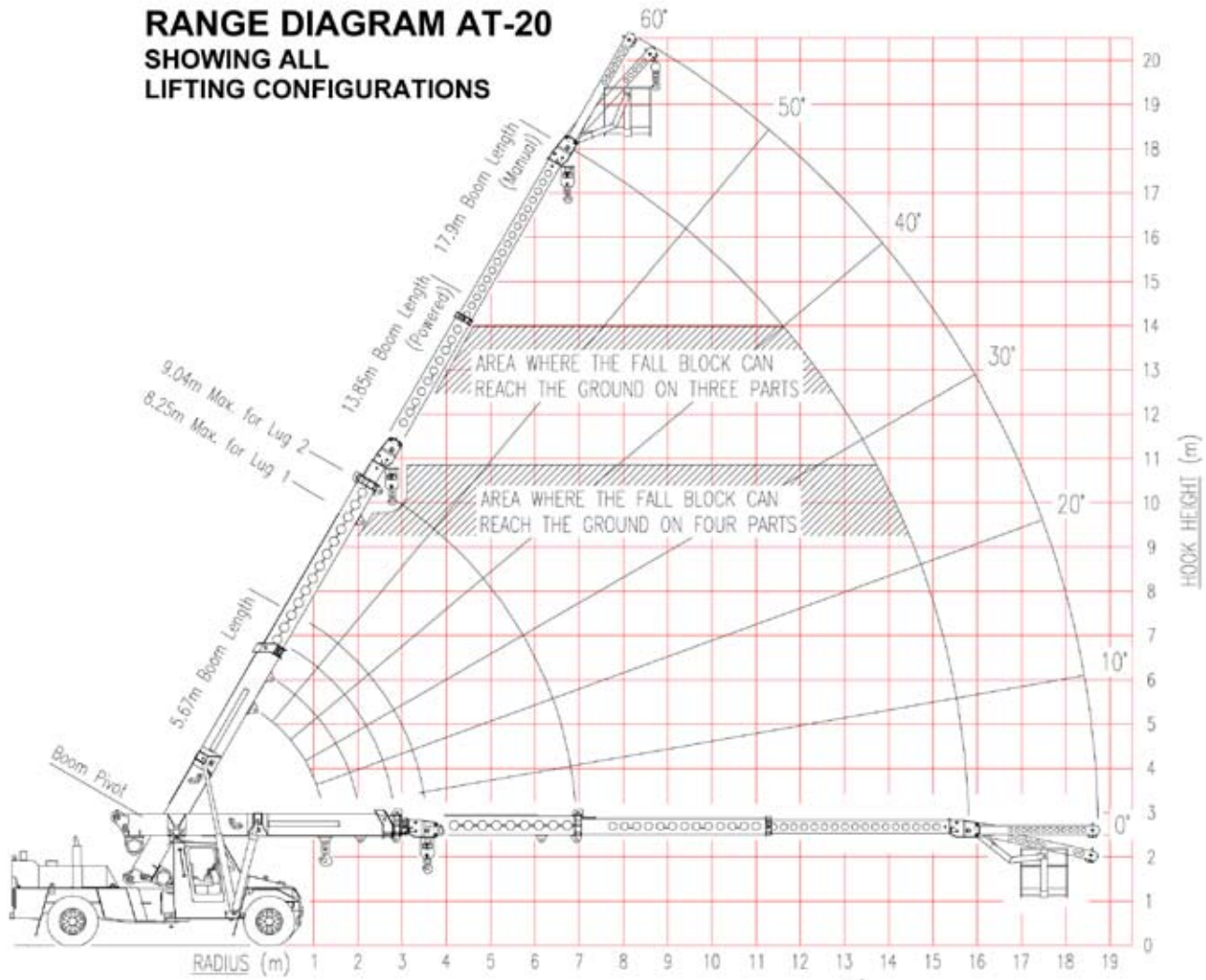
INFORMATIONAL DATA



Crane Dimensions

Length (carrier)	6 615
Width	2 500
Height (with Boom)	3 070
Length Overall	9 670
Wheelbase	4 450
Front Axle Weight	8 000 kg
Rear Axle Weight	11 500 kg

RANGE DIAGRAM AT-20 SHOWING ALL LIFTING CONFIGURATIONS



Working Area Diagram

