



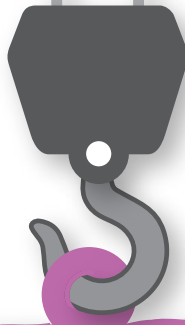
Phil's Crane Hire Pty Ltd. ABN 90 105 040 926

28 Laurina Court, Elanora QLD 4221

Mobile: 0408 767 477

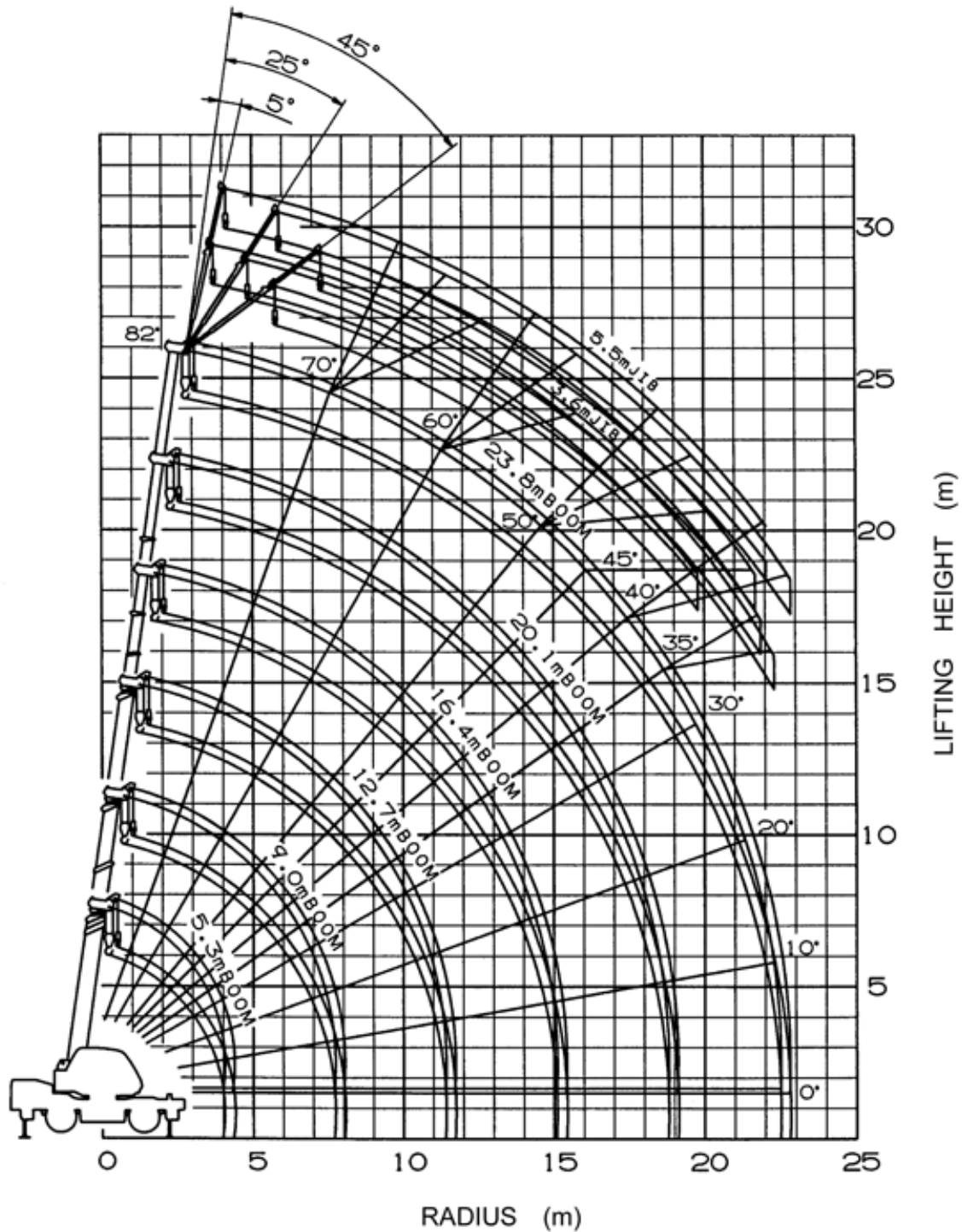
Fax: 07 5534 8622

Email: philcrane@bigpond.net.au



TADANO GRIZON

WORKING RANGE



- NOTE: 1. The above lifting heights and boom angles are based on a straight (unladen) boom, and allowance should be made for boom deflection obtained under laden conditions.
2. The above working range is shown on condition with outriggers fully extended. (360°)

RATED LIFTING CAPACITIES

ISO 4305

ON OUTRIGGERS

Unit : kg

		Outriggers fully extended (4.7 m) - 360° rotation -				
B \ A	5.3 m	9.0 m	12.7 m	16.4 m	20.1 m	23.8 m
1.0 m	12,000	6,000				
1.5 m	12,000	6,000	6,000			
2.0 m	12,000	6,000	6,000	5,000		
2.5 m	10,000	6,000	6,000	5,000	4,500	
3.0 m	8,200	6,000	6,000	5,000	4,500	
3.5 m	7,000	6,000	6,000	5,000	4,500	3,000
4.0 m	6,100	6,000	5,350	4,850	4,250	3,000
4.5 m		5,200	4,750	4,350	3,850	3,000
5.0 m		4,650	4,250	3,900	3,550	3,000
5.5 m		4,150	3,800	3,550	3,300	2,900
6.0 m		3,750	3,450	3,200	3,050	2,750
7.0 m		3,050	2,850	2,700	2,550	2,350
8.0 m		2,700	2,200	2,300	2,200	2,100
9.0 m		(7.7m)	1,650	1,950	1,900	1,800
10.0 m			1,250	1,700	1,650	1,600
11.0 m			1,000	1,400	1,450	1,400
12.0 m			900	1,150	1,300	1,200
13.0 m			(11.4m)	950	1,100	1,100
14.0 m				750	900	1,000
15.0 m				650	750	850
16.0 m					650	700
17.0 m					550	600
18.0 m					450	500
19.0 m					400	400
20.0 m					(18.7m)	350
22.0 m						250
22.3 m						230

A : Boom length

B : Load radius

EXTERNAL VIEWS

